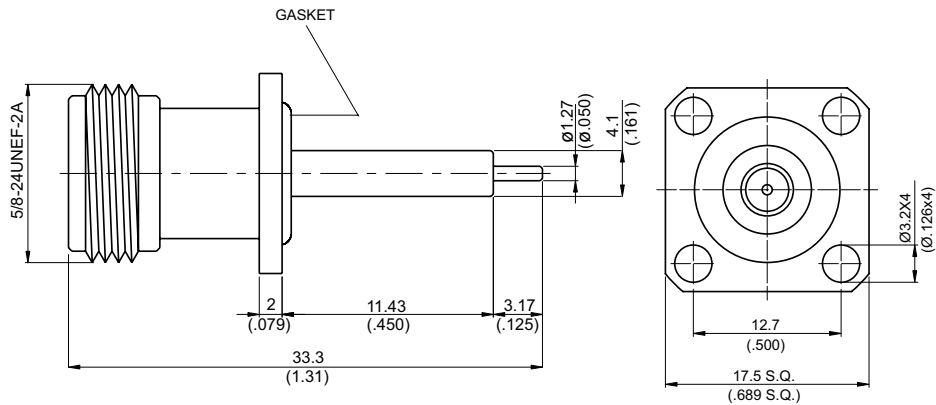
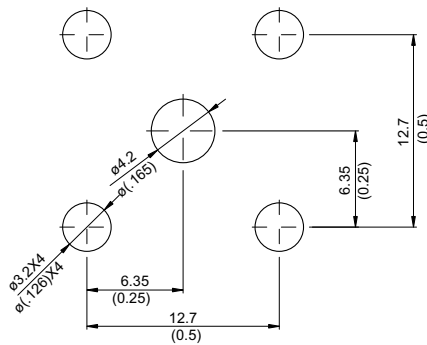


N864L4-0000 **N Jack For Panel Receptacle** **50Ω**



MOUNTING HOLE :



| Parts | Material | Plating (Micro-inch) |
|-------------|-----------------|--|
| Gasket | Silicon | |
| Part | Brass | Tin-Zinc-Copper-Alloy 100 Over Copper 50 |
| Contact Pin | Phosphor Bronze | Gold 5 Over Nickel 50 Over Copper 50 |
| Insulator | Teflon | |
| Body | Brass | Tin-Zinc-Copper-Alloy 100 Over Copper 50 |

Weight: 16.47 g

This part number complies with RoHS.

Notice: JYEBAO reserves the right to make modifications deemed appropriate.